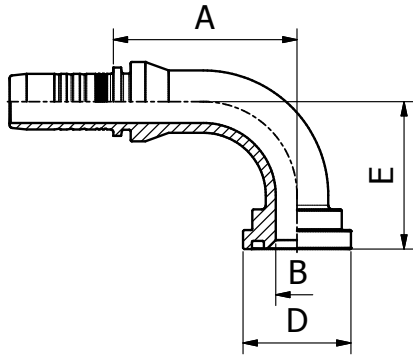


SAE STANDARD CONNECTIONS

M23391

90° ISO/SAE CODE 61 FLANGE
SAE J516 / ISO 12151-3



| PART. REF. | HOSE BORE | | | FLANGE | | DIMENSIONS mm | | | | | |
|------------------|-----------|------|--------|--------|--|---------------|-------|-------|-------|--|--|
| | DN | Dash | inch | inch | | B | A | D | E | | |
| M23391-06-08 | 10 | -6 | 3/8" | 1/2" | | 9.3 | 44.5 | 30.0 | 34.5 | | |
| M23391-08-08 | 12 | -8 | 1/2" | 1/2" | | 9.3 | 54.5 | 30.3 | 40.0 | | |
| M23391-08-12 | 12 | -8 | 1/2" | 3/4" | | 15.0 | 54.5 | 38.0 | 41.0 | | |
| M23391-08-16 | 12 | -8 | 1/2" | 1" | | 19.8 | 54.5 | 44.6 | 66.0 | | |
| M23391-10-08 | 16 | -10 | 5/8" | 1/2" | | 9.3 | 56.0 | 30.3 | 46.5 | | |
| M23391-10-12 | 16 | -10 | 5/8" | 3/4" | | 15.0 | 56.0 | 38.0 | 47.5 | | |
| M23391-12-12 | 19 | -12 | 3/4" | 3/4" | | 15.0 | 64.5 | 38.0 | 52.0 | | |
| M23391-12-16 | 19 | -12 | 3/4" | 1" | | 20.0 | 64.5 | 44.6 | 52.0 | | |
| M23391-12-20 | 19 | -12 | 3/4" | 1.1/4" | | 26.0 | 64.5 | 51.0 | 52.0 | | |
| M23391-16-12 | 25 | -16 | 1" | 3/4" | | 15.0 | 71.0 | 38.0 | 52.0 | | |
| M23391-16-16 | 25 | -16 | 1" | 1" | | 19.8 | 77.5 | 44.6 | 62.0 | | |
| M23391-16-20 | 25 | -16 | 1" | 1.1/4" | | 26.0 | 77.5 | 51.0 | 62.0 | | |
| M23391-16-24 | 25 | -16 | 1" | 1.1/2" | | 32.0 | 77.0 | 60.5 | 64.0 | | |
| M23391-20-16 | 31 | -20 | 1.1/4" | 1" | | 19.8 | 80.0 | 44.6 | 66.0 | | |
| M23391-20-20 | 31 | -20 | 1.1/4" | 1.1/4" | | 26.0 | 90.5 | 51.0 | 70.0 | | |
| M23391-20-24 | 31 | -20 | 1.1/4" | 1.1/2" | | 32.0 | 90.5 | 60.5 | 72.0 | | |
| M23391-20-32 | 31 | -20 | 1.1/4" | 2" | | 42.0 | 93.5 | 71.6 | 76.0 | | |
| M23391-24-20 | 38 | -24 | 1.1/2" | 1.1/4" | | 26.0 | 104.5 | 51.0 | 75.0 | | |
| M23391-24-24 | 38 | -24 | 1.1/2" | 1.1/2" | | 32.0 | 108.0 | 60.5 | 84.0 | | |
| M23391-24-32 | 38 | -24 | 1.1/2" | 2" | | 42.0 | 108.0 | 71.6 | 84.0 | | |
| M23391-32-24 | 51 | -32 | 2" | 1.1/2" | | 32.0 | 136.0 | 60.5 | 89.0 | | |
| M23391-32-32 | 51 | -32 | 2" | 2" | | 42.0 | 129.0 | 71.6 | 99.0 | | |
| M23391-32-40 | 51 | -32 | 2" | 2.1/2" | | 56.0 | 132.5 | 84.3 | 116.0 | | |
| M23391-40-32 | 63 | -40 | 2.1/2" | 2" | | 42.0 | 149.5 | 71.6 | 114.0 | | |
| M23391-40-40 | 63 | -40 | 2.1/2" | 2.1/2" | | 52.0 | 88.0 | 84.3 | 119.0 | | |
| M23391-40-40A150 | 63 | -40 | 2.1/2" | 2.1/2" | | 52.0 | 150.5 | 84.3 | 117.0 | | |
| M23391-40-48 | 63 | -40 | 2.1/2" | 3" | | 61.0 | 120.0 | 101.6 | 140.0 | | |
| M23391-48-48 | 76 | -48 | 3" | 3" | | 58.0 | 123.0 | 101.6 | 140.0 | | |
| M23391-48-56 | 76 | -48 | 3" | 3.1/2" | | 61.0 | 123.0 | 114.3 | 115.0 | | |
| M23391-56-56 | 89 | -56 | 3.1/2" | 3.1/2" | | 79.0 | 134.5 | 114.3 | 160.0 | | |
| M23391-64-64 | 102 | -64 | 4" | 4" | | 90.0 | 153.5 | 127.0 | 158.5 | | |

All items are made from solid with the exception of M23391-40-40, M23391-40-48, M23391-48-48, M23391-48-56, M23391-56-56, M23391-64-64.