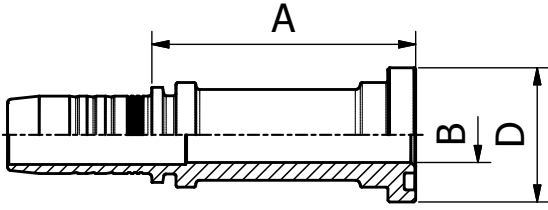


ORIGINAL EQUIPMENT CONNECTIONS

M24111



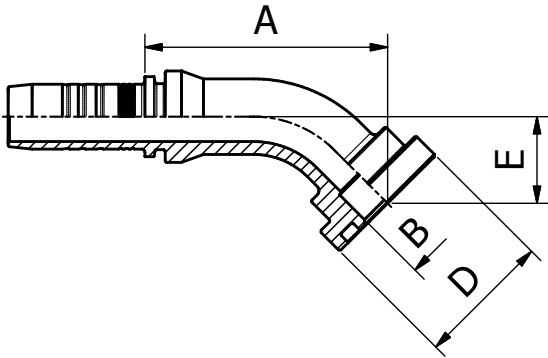
STRAIGHT KOMATSU FLANGE

| PART. REF. | HOSE BORE | | | FLANGE | DIMENSIONS mm | | | | | | |
|--------------|-----------|------|------|--------|---------------|------|------|---|--|--|--|
| | DN | Dash | inch | | inch | B | A | D | | | |
| M24111-08-10 | 12 | -8 | 1/2" | 5/8" | 14.0 | 66.0 | 34.0 | | | | |
| M24111-10-10 | 16 | -10 | 5/8" | 5/8" | 14.0 | 65.5 | 34.0 | | | | |
| M24111-12-10 | 19 | -12 | 3/4" | 5/8" | 14.0 | 66.5 | 34.0 | | | | |

FITTINGS 168

ORIGINAL EQUIPMENT CONNECTIONS

M24141

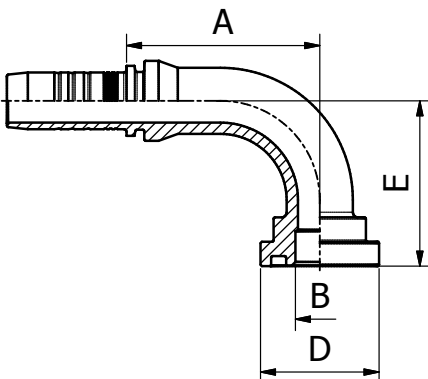


45° KOMATSU FLANGE

| PART. REF. | HOSE BORE | | | FLANGE | DIMENSIONS mm | | | | | |
|--------------|-----------|------|------|--------|---------------|------|------|------|----|----|
| | DN | Dash | inch | | inch | B | A | C | H1 | H2 |
| M24141-10-10 | 16 | -10 | 5/8" | 5/8" | 14.0 | 61.0 | 34.0 | 22.0 | | |

ORIGINAL EQUIPMENT CONNECTIONS

M24191



90° KOMATSU FLANGE

| PART. REF. | HOSE BORE | | | FLANGE | DIMENSIONS mm | | | | | |
|--------------|-----------|------|------|--------|---------------|------|------|------|----|----|
| | DN | Dash | inch | | inch | B | A | C | H1 | H2 |
| M24191-10-10 | 16 | -10 | 5/8" | 5/8" | 14.0 | 56.0 | 34.0 | 47.5 | | |
| M24191-12-10 | 19 | -12 | 3/4" | 5/8" | 14.0 | 56.0 | 34.0 | 47.5 | | |