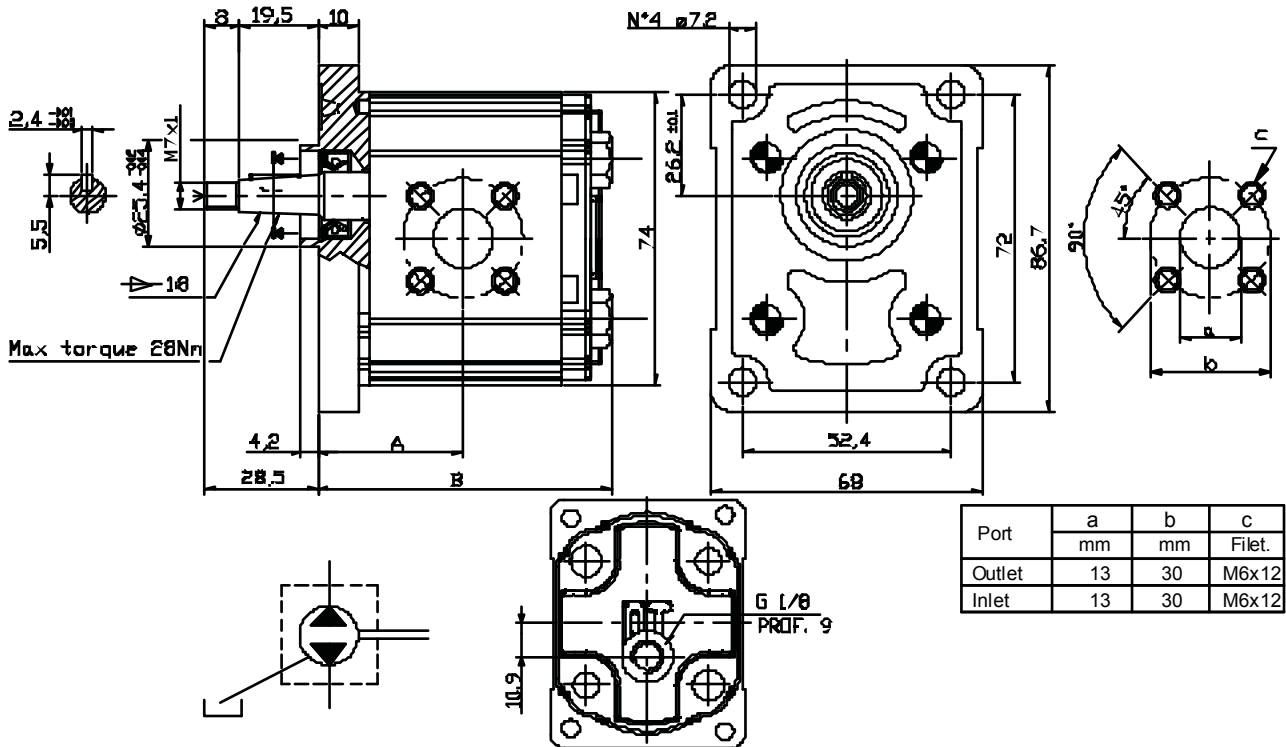


GROUP 1 REVERSIBLE MOTORS - EUROPEAN STANDARD

VERSION: B18 P1



Displacement

Type	(cc/rev)	Max working pressure P1 (bar)	Peak pressure P3 (bar)	Max speed (r.p.m)	Dimension		Absorbed torque at 150 bar (Nm)	Code
					A	B		
OT 100 M16	1.45	180	230	5000	32.75	67.3	4.2	PS1009083R
OT 100 M20	1.80	210	250	5000	33.45	68.7	5.2	PS1009084R
OT 100 M25	2.45	210	250	5000	34.50	70.8	6.7	PS1009085R
OT 100 M32	3.05	210	250	5000	35.50	72.8	8.3	PS1009086R
OT 100 M40	3.80	210	250	4500	36.90	75.6	10.1	PS1009087R
OT 100 M49	4.70	200	240	4500	38.45	78.7	12.7	PS1009088R
OT 100 M58	5.55	200	220	4000	40.00	81.8	15.0	PS1009089R
OT 100 M65	6.25	180	210	3750	41.25	84.3	16.8	PS1009090R
OT 100 M79	7.60	160	200	3500	43.60	89.0	20.5	PS1019091R

EXAMPLE OF ORDERING CODE

OT100 M 20 R / B 18 P1

Series

Motor

Displacement (see above table)

Rotation

R Reversible

European standard flange

Taper shaft (1:8)

Body for European flanges

□ Screws tightening torque : 25 ± 28 Nm

