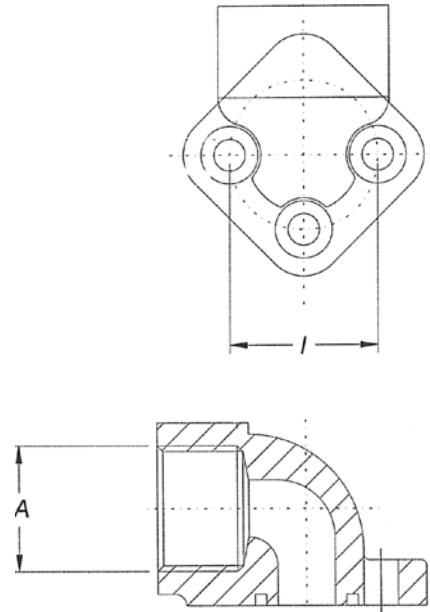


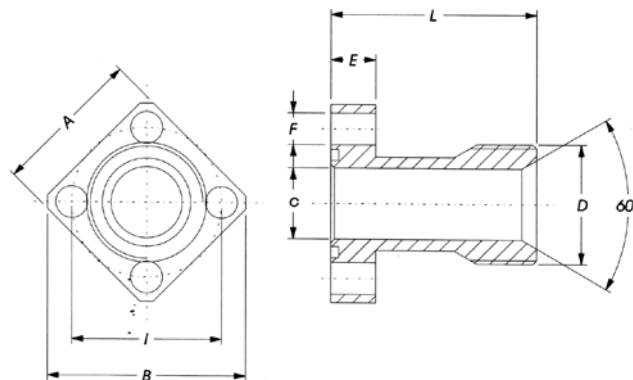
RACCORDO FLANGE A TRE FORI PER POMPE

CODICE	INTERASSE	A
MMTFL26-38	26	3/8
MMTFL26-12	26	1/2
MMTFL30-38	30	3/8
MMTFL30-12	30	1/2
MMTFL40-38	40	3/8
MMTFL40-12	40	1/2
MMTFL40-34	40	3/4
MMTFL51-34	51	3/4
MMTFL51-1	51	1
MMTFL51-114	51	1"1/4
MMTFL56-1	56	1
MMTFL56-114	56	1"1/4
MMTFL62-114	62	1"1/4
MMTFL72-114	72	1"1/4
MMTFL72-112	72	1"1/2



RACCORDO RD (FE42)

CODICE	A	I
MMTFLF30-12	1/2"	30
MMTFLF30-38	3/8"	30
MMTFLF35-12	1/2"	35
MMTFLF35-38	3/8"	35
MMTFLF40-12	1/2"	40
MMTFLF40-34	3/4"	40
MMTFLF40-38	3/8"	40
MMTFLF51-1	1"	51
MMTFLF51-34	3/4"	51
MMTFLF56-1	1"	56
MMTFLF56-34	3/4"	56



RACCORDO BKA - BKAL (ACCIAIO/ALLUMINIO)

CODICE	A	I
MMTFLB30-12	1/2"	30
MMTFLB30-18	18x1,5	30
MMTFLB30-38	3/8"	30
MMTFLB35-12	1/2"	35
MMTFLB35-18	18x1,5	35
MMTFLB35-38	3/8"	35
MMTFLB40-12	1/2"	40
MMTFLB40-34	3/4"	40
MMTFLB56-1	1"	55

