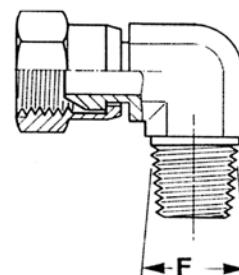


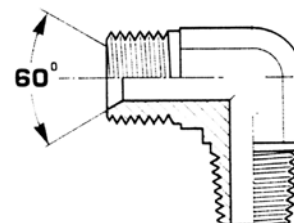
### RACCORDO A 90° M/F GIR.

CODICE	Fil.
MMTAD90MFG1/4	1/4
MMTAD90MFG3/8	3/8
MMTAD90MFG1/2	1/2
MMTAD90MFG3/4	3/4
MMTAD90MFG1	1



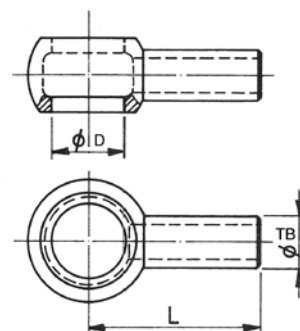
### RACCORDO A 90° M/M CON./CIL.

CODICE	Fil.
MMTAD90MM1/8	1/8
MMTAD90MM1/4	1/4
MMTAD90MM3/8	3/8
MMTAD90MM1/2	1/2
MMTAD90MM3/4	3/4
MMTAD90MM1	1



### OCCHIO CORTO

CODICE	D	L	TB
MRCROC1/2	1/2	44	12
MRCROC1/4	1/4	38	12



### OCCHIO MEDIO E OCCHIO LUNGO

CODICE	C	L	V
MRCRO3/8-45	3/8	45	12
MRCRO3/8-150	3/8	150	12
MRCRO3/8-200	3/8	200	12
MRCRO3/8-250	3/8	250	12
MRCRO3/8-500	3/8	500	12

