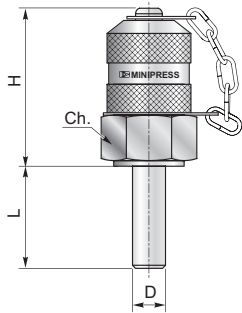




Minipresa a codolo liscio M 16x2

Standpipe test coupling M16X2

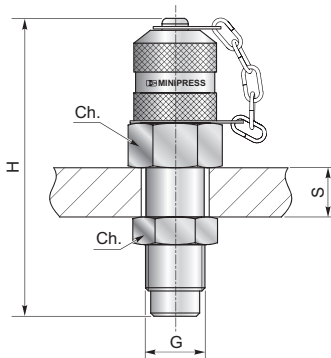


D	H	L	Ch	Codice/Ref.
6*	37	20	17	S11206000C
8	37	20	17	S11208000C
10	37	20	17	S11210000C
12	37	20	17	S11212000C
14	37	20	17	S11214000C
15	37	20	17	S11215000C
16	37	20	17	S11216000C

\* Disponibili in acciaio inossidabile/ Available in Stainless steel

Minipresa passaparete

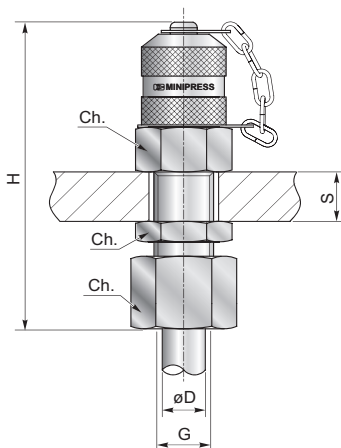
Bulkhead test coupling



G1	G1	H	Ch	S max	PN [bar]	Codice/Ref.
M 16x2	M 16x2	72	19	25	630	S122PP000C
S12.65x1.5	S12.65x1.5	63	19	12	630	S122PP120C

Minipresa passaparete per tubo metallico M 16x2

Bulkhead test coupling for metal pipe fitting M 16x2



Serie / Series	D	G	H	Ch	Ch 1	S max	PN [bar]	Codice/Ref.
S	8*	M 16x1.5	82	19	19	20	630	S11616X15C
	10	M 18x1.5	81	22	22	20	630	S11618X15C
	12	M 20x1.5	80	24	24	20	630	S11620X15C

\* Disponibili in acciaio inossidabile/ Available in Stainless steel