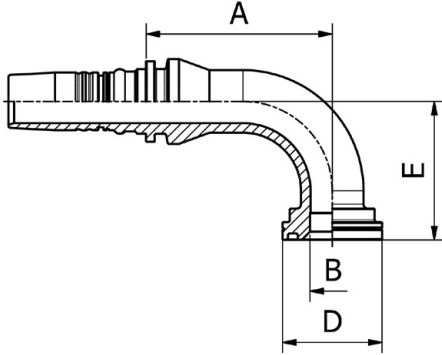


SAE STANDARD CONNECTIONS

M43390

90° ISO / SAE
CODE 61 FLANGE
SAE J516 / ISO 12151-3

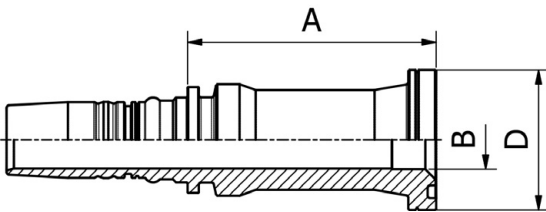


PART. REF.	HOSE BORE			Flange		DIMENSIONS mm						
	DN	Dash	inch	inch		B	A	D	E			
M43390-10-16	16	- 10	5/8"	1"		20.0	71.0	44.6	52.0			
M43390-12-12	19	- 12	3/4"	3/4"		16.0	72.0	38.0	52.0			
M43390-12-12058	19	- 12	3/4"	3/4"		16.0	72.0	38.0	58.0			
M43390-12-16	19	- 12	3/4"	1"		20.0	72.5	44.6	52.0			
M43390-16-16	25	- 16	1"	1"		20.0	83.5	44.6	62.0			
M43390-16-16070	25	- 16	1"	1"		20.0	83.5	44.5	70.0			
M43390-16-20	25	- 16	1"	1.1/4"		26.0	83.5	51.0	62.0			
M43390-20-20	31	- 20	1.1/4"	1.1/4"		26.1	99.0	51.0	70.0			
M43390-20-20090	31	- 20	1.1/4"	1.1/4"		26.1	99.0	50.9	90.0			
M43390-20-16	31	- 20	1.1/4"	1"		19.8	96.5	44.6	66.0			
M43390-20-24	31	- 20	1.1/4"	1.1/2"		32.1	98.5	60.5	72.0			
M43390-24-24	38	- 24	1.1/2"	1.1/2"		32.1	111.5	60.5	84.0			
M43390-24-24104	38	- 24	1.1/2"	1.1/2"		32.1	111.5	60.5	104.0			
M43390-24-32	38	- 24	1.1/2"	2"		42.0	111.5	71.6	84.0			
M43390-32-32	51	- 32	2"	2"		42.0	133.5	71.6	99.0			
M43390-32-32138	51	- 32	2"	2"		42.0	133.5	71.5	138.0			
M43390-48-48	76	- 48	3"	3"		59.0	145.0	101.6	140.0			

SAE STANDARD CONNECTIONS

M43610

ISO / SAE
CODE 62 FLANGE
SAE J516 / ISO 12151-3



PART. REF.	HOSE BORE			Flange		DIMENSIONS mm						
	DN	Dash	inch	inch		B	A	D				
M43610-10-12	16	- 10	5/8"	3/4"		16.0	65.0	41.5				
M43610-10-16	16	- 10	5/8"	1"		20.0	81.5	47.7				
M43610-12-12	19	- 12	3/4"	3/4"		16.0	71.5	41.4				
M43610-12-16	19	- 12	3/4"	1"		20.0	83.5	47.7				
M43610-16-12	25	- 16	1"	3/4"		16.0	80.5	41.4				
M43610-16-16	25	- 16	1"	1"		20.0	84.5	47.7				
M43610-16-20	25	- 16	1"	1.1/4"		26.0	89.0	54.2				
M43610-20-16	31	- 20	1.1/4"	1"		20.0	87.0	47.7				
M43610-20-20	31	- 20	1.1/4"	1.1/4"		26.1	91.0	54.2				
M43610-20-24	31	- 20	1.1/4"	1.1/2"		32.1	97.0	63.7				
M43610-24-20	38	- 24	1.1/2"	1.1/4"		26.0	101.0	54.2				
M43610-24-24	38	- 24	1.1/2"	1.1/2"		32.1	97.5	63.7				
M43610-24-32	38	- 24	1.1/2"	2"		42.0	113.0	79.6				
M43610-32-24	51	- 32	2"	1.1/2"		32.1	117.0	63.7				
M43610-32-32	51	- 32	2"	2"		42.0	112.5	79.6				
M43610-40-40	63	- 40	2.1/2"	2.1/2"		51.5	126.5	107.9				
M43610-48-48	76	- 48	3"	3"		62.5	167.0	131.9				