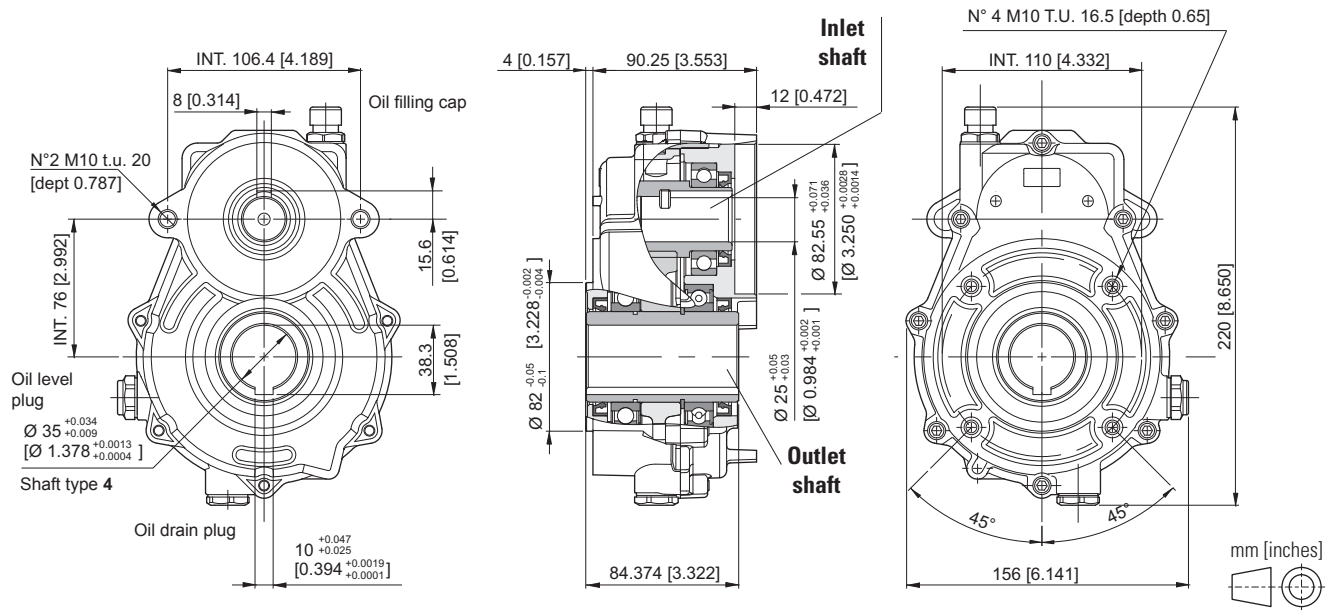
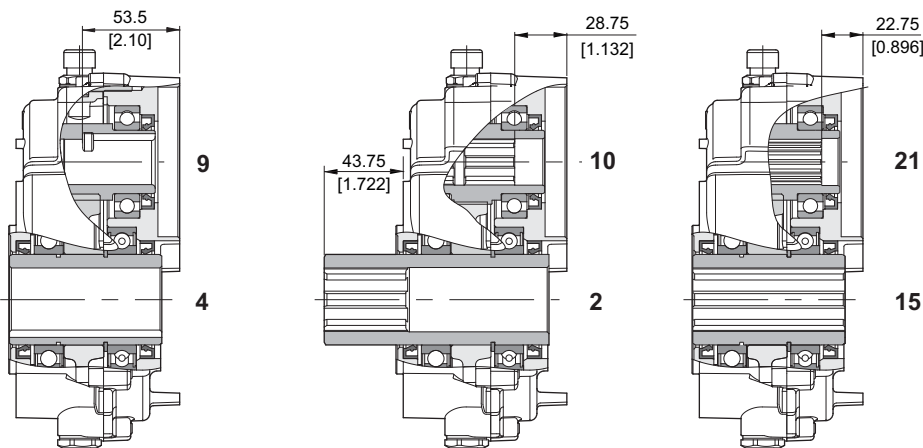


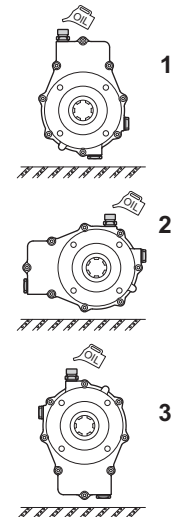
SPEED REDUCER GEARBOX SAE A



Shaft



Mounting positions



ORDERING CODE

RD33/SAE - ** -1/ *** - ** - *

RD33/SAE = speed reducers (aluminium body)

P.T.O.

- 2** = Female 1" 3/8 DIN 9611 (long)
- 4** = Female Ø 35 mm
- 15** = Female 1" 3/8 DIN 9611 (short)

Transmission ratio

- 0,66** = 1.5 : 1
- 0,50** = 2.0 : 1
- 0,40** = 2.5 : 1
- 0,33** = 3.0 : 1
- 0,29** = 3.4 : 1
- 0,26** = 3.8 : 1

Mounting positions
1 / 2 / 3

Input shaft

- 9** = Female Ø 25 *
- 10** = Female SAE 6B
- 21** = Female Z14 DIN 5482 (25x22)

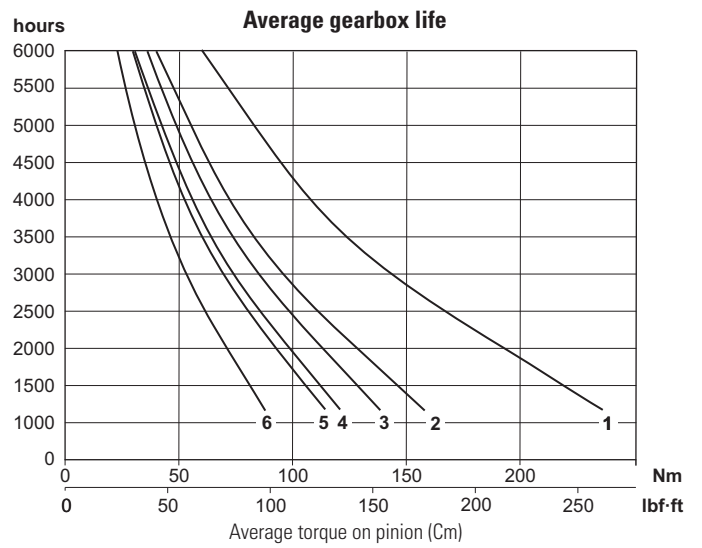
* Only for transmission ratio: 0,66 - 0,50 - 0,40 - 0,33

Coupling to the hydraulic motor to be required at our sales department.

TECHNICAL DATA

Transmission ratio	Maximum torque Nm [lbf-ft]		Weight kg [lb]
	200 rpm		
	C1*	C2*	
0.66	236 [174]	124 [91]	4,3 [9.5]
0.50	158 [117]	83 [61]	4,4 [9.7]
0.40	139 [103]	73 [54]	4,3 [9.5]
0.33	121 [89]	64 [47]	4,4 [9.7]
0.29	114 [84]	60 [44]	4,7 [10.4]
0.26	88 [65]	46 [34]	4,4 [9.7]

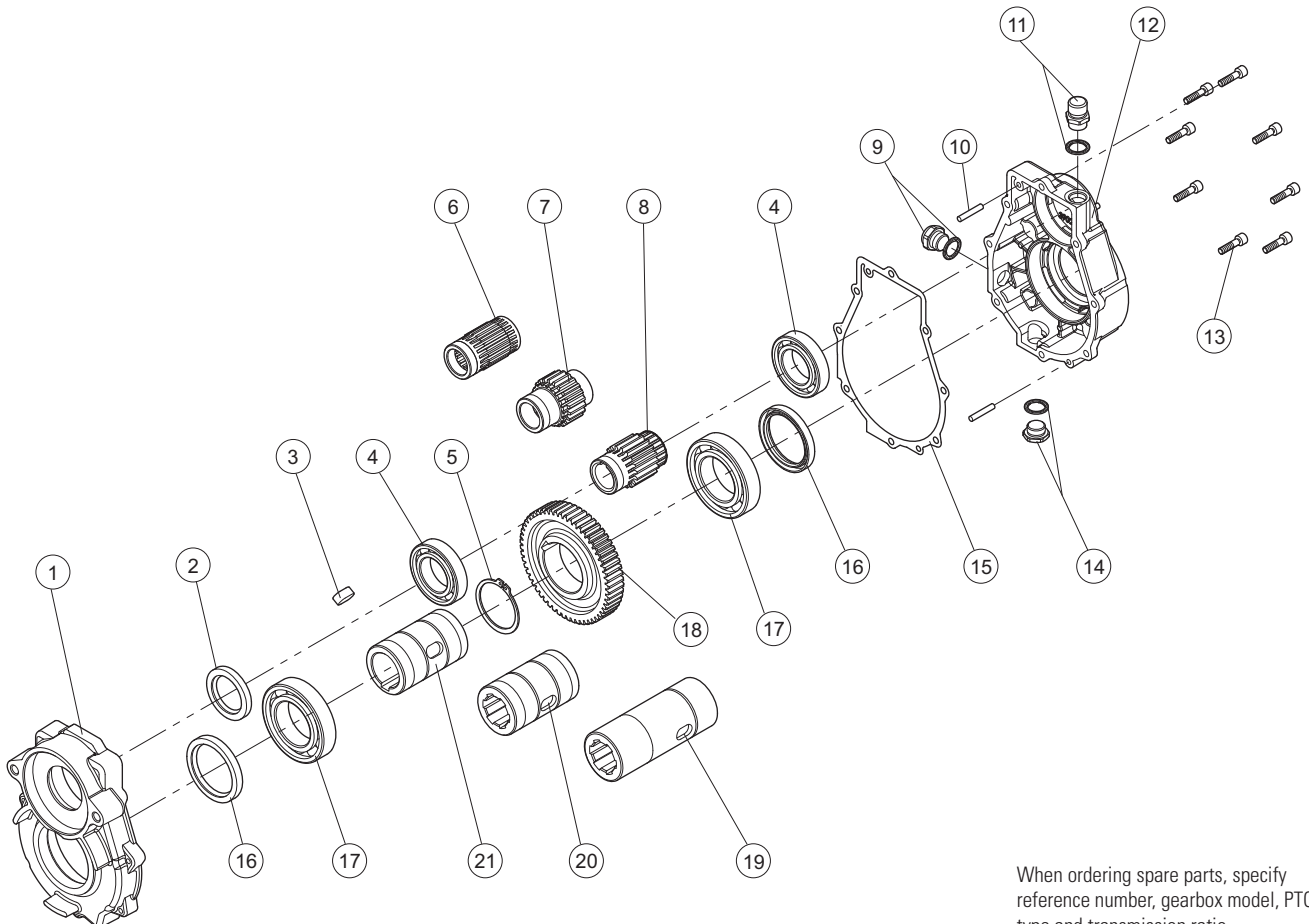
* Maximum torque on pump:
C1= maximum starting torque; C2= maximum torque for continuous duty.



Mounting positions	Oil liters [US gallon]
1	0.15 [0.04]
2	0.11 [0.03]
3	0.09 [0.02]

Output rpm	Input (transmission ratio)						
	0.66	0.50	0.40	0.33	0.29	0.26	
200	curve	1	2	3	4	5	6
	rpm	300	400	500	600	700	760

SPARE PARTS



When ordering spare parts, specify reference number, gearbox model, PTO type and transmission ratio.