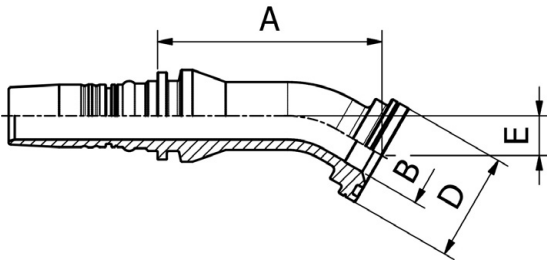


SAE STANDARD CONNECTIONS

# M43330

**30° ISO / SAE  
CODE 61 FLANGE**

**SAE J516 / ISO 12151-3**



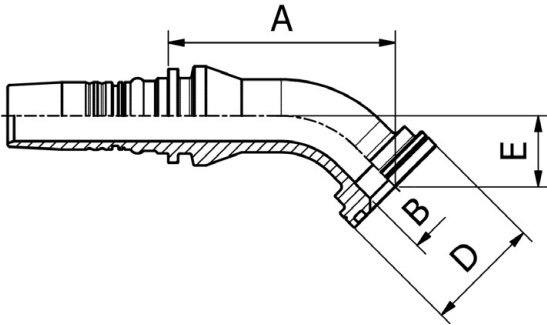
PART. REF.	HOSE BORE			Flange	DIMENSIONS mm							
	DN	Dash	inch	inch	B	A	D	E				
M43330-16-16	25	- 16	1"	1"	20.0	93.0	44.6	16.5				
M43330-20-20	31	- 20	1.1/4"	1.1/4"	26.1	106.5	51.0	17.5				
M43330-24-24	38	- 24	1.1/2"	1.1/2"	32.1	118.0	60.5	20.0				
M43330-32-32	51	- 32	2"	2"	42.0	137.0	71.6	22.0				

SAE STANDARD CONNECTIONS

# M43340

**45° ISO / SAE  
CODE 61 FLANGE**

**SAE J516 / ISO 12151-3**



PART. REF.	HOSE BORE			Flange	DIMENSIONS mm							
	DN	Dash	inch	inch	B	A	D	E				
M43340-12-12	19	- 12	3/4"	3/4"	16.0	75.5	38.0	26.0				
M43340-12-16	19	- 12	3/4"	1"	20.0	76.0	44.6	23.0				
M43340-16-16	25	- 16	1"	1"	20.0	87.0	44.6	27.5				
M43340-16-16032	25	- 16	1"	1"	20.0	92.0	44.5	32.0				
M43340-16-20	25	- 16	1"	1.1/4"	26.0	87.5	51.0	27.5				
M43340-20-20	31	- 20	1.1/4"	1.1/4"	26.1	100.5	51.0	29.5				
M43340-20-20038	31	- 20	1.1/4"	1.1/4"	26.1	109.0	50.9	38.0				
M43340-20-24	31	- 20	1.1/4"	1.1/2"	32.1	101.5	60.5	31.0				
M43340-24-24	38	- 24	1.1/2"	1.1/2"	32.1	111.0	60.5	34.5				
M43340-24-24044	38	- 24	1.1/2"	1.1/2"	32.1	120.0	60.5	44.0				
M43340-24-32	38	- 24	1.1/2"	2"	42.0	113.0	71.6	34.5				
M43340-32-32	51	- 32	2"	2"	42.0	128.5	71.6	39.0				
M43340-32-32056	51	- 32	2"	2"	42.0	146.0	71.6	56.0				
M43340-48-48	76	- 48	3"	3"	59.0	147.5	101.6	53.0				