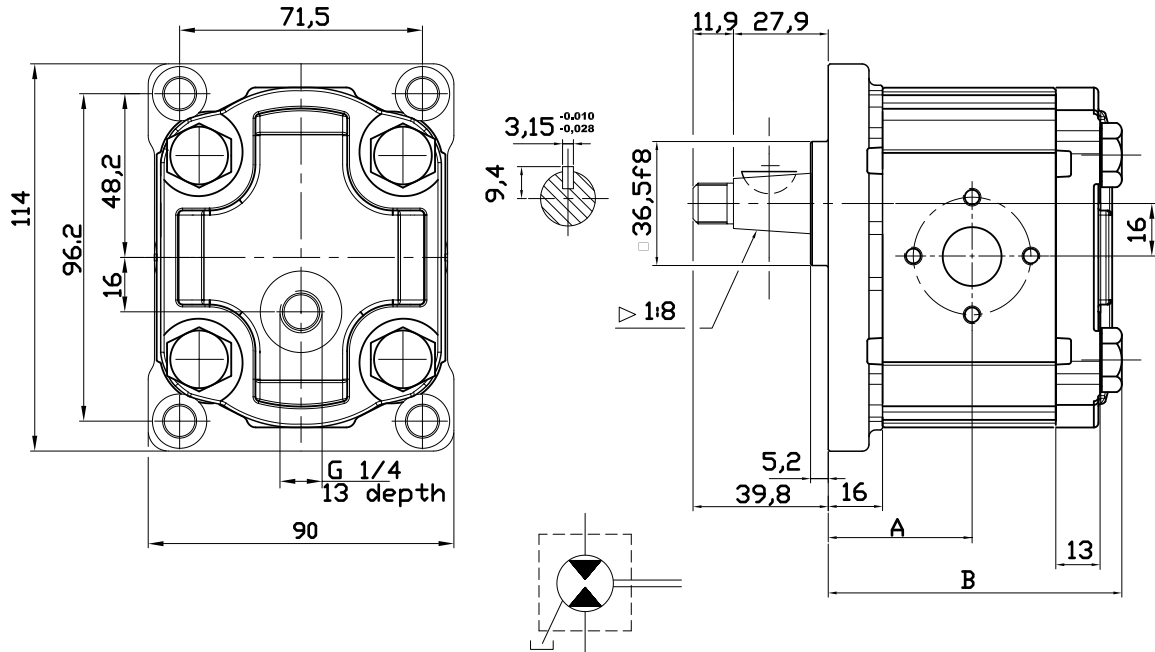
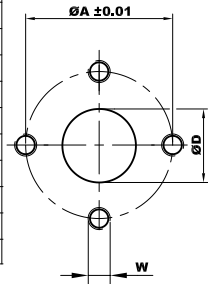


GROUP2 REVERSIBLE MOTORS - EUROPEAN STANDARD

VERSION: P28 P2

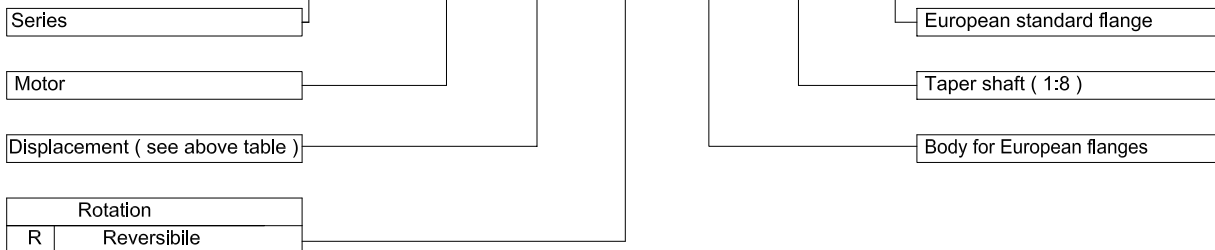


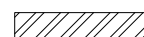
Type	Displacement (cc/rev)	Max working pressure P1 (bar)	Peak pressure P3 (bar)	Max speed (r.p.m)	Dimension		Inlet port			Outlet port		
					A	B	ØD	ØA	W	ØD	ØA	W
OT 200 P04	04,10	210	240	4000	40,00	83,50	13	30	M6	13	30	M6
OT 200 P06	06,20	220	255	3500	41,50	86,50	13	30	M6	13	30	M6
OT 200 P08	08,20	220	255	3500	43,00	89,50	13	30	M6	13	30	M6
OT 200 P11	11,20	220	255	3500	45,15	93,80	13	30	M6	13	30	M6
OT 200 P14	14,00	220	255	3000	47,15	97,80	20	40	M8	20	40	M8
OT 200 P16	16,00	220	255	3000	48,60	100,7	20	40	M8	20	40	M8
OT 200 P20	20,00	200	240	3000	51,50	106,5	20	40	M8	20	40	M8
OT 200 P22	22,50	170	210	2500	57,35	118,2	20	40	M8	20	40	M8
OT 200 P25	25,10	170	180	2500	59,25	122,0	20	40	M8	20	40	M8
OT 200 P28	28,00	140	180	2500	61,35	126,2	20	40	M8	20	40	M8
OT 200 P30	30,00	130	170	2000	62,75	129,0	20	40	M8	20	40	M8



EXAMPLE OF ORDERING CODE

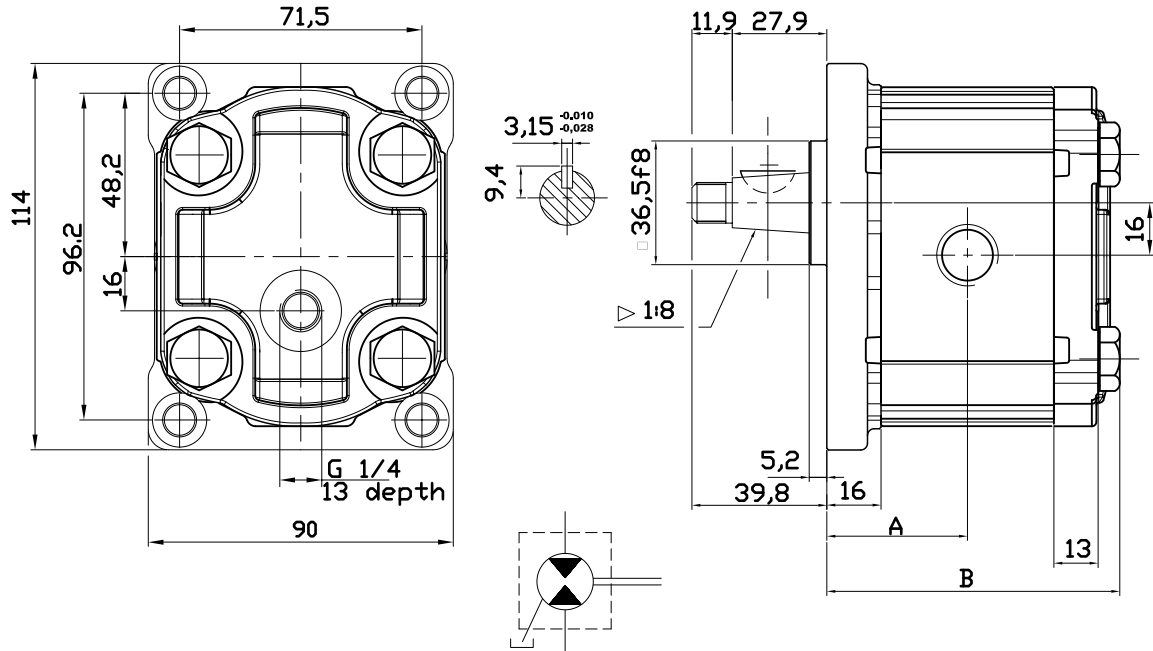
OT200 M 08 R / P 28 P2



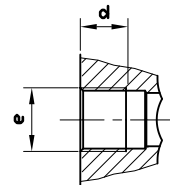
 Consult our technical department.

GROUP2 REVERSIBLE MOTORS - EUROPEAN STANDARD

VERSION: G28 P2

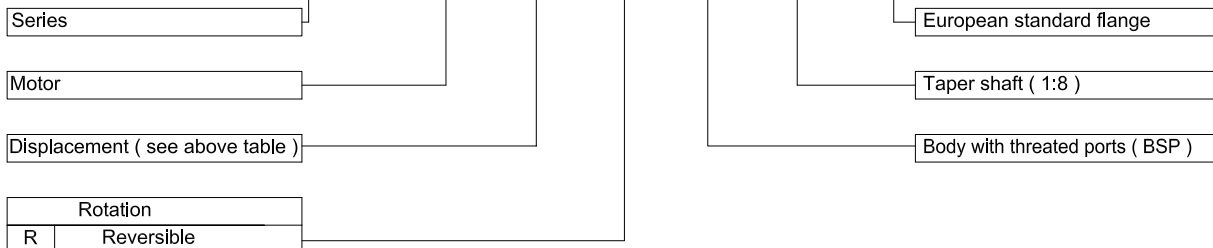


Type	Displacement (cc/rev)	Max working pressure P1 (bar)	Peak pressure P3 (bar)	Max speed (r.p.m)	Dimension		Inlet port		Outlet port	
					A	B	e	d	e	d
OT 200 P04	04,10	210	240	4000	40,00	83,50	G1/2	14	G1/2	14
OT 200 P06	06,20	220	255	3500	41,50	86,50	G1/2	14	G1/2	14
OT 200 P08	08,20	220	255	3500	43,00	89,50	G1/2	14	G1/2	14
OT 200 P11	11,20	220	255	3500	45,15	93,80	G1/2	14	G1/2	14
OT 200 P14	14,00	220	255	3000	47,15	97,80	G3/4	16	G3/4	16
OT 200 P16	16,00	220	255	3000	48,60	100,7	G3/4	16	G3/4	16
OT 200 P20	20,00	200	240	3000	51,50	106,5	G3/4	16	G3/4	16
OT 200 P22	22,50	170	210	2500	57,35	118,2	G3/4	16	G3/4	16
OT 200 P25	25,10	170	180	2500	59,25	122,0	G3/4	16	G3/4	16
OT 200 P28	28,00	140	180	2500	61,35	126,2	G3/4	16	G3/4	16
OT 200 P30	30,00	130	170	2000	62,75	129,0	G3/4	16	G3/4	16



EXAMPLE OF ORDERING CODE

OT200 M 08 R / G 28 P2



Consult our technical department.