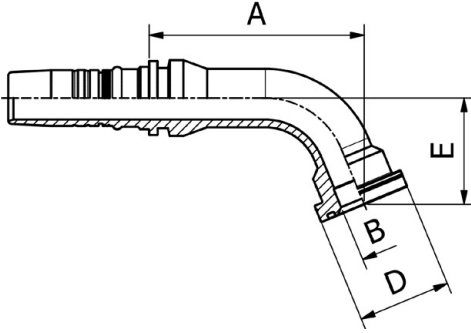


SAE STANDARD CONNECTIONS

M43670

67.5° ISO / SAE
CODE 62 FLANGE
SAE J516 / ISO 12151-3



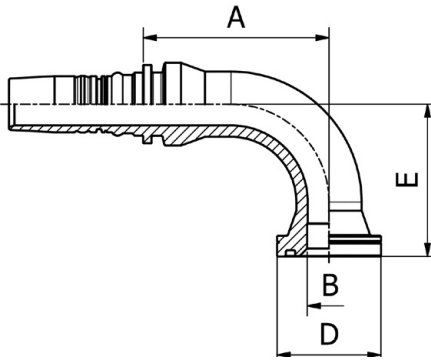
PART. REF.	HOSE BORE			Flange	DIMENSIONS mm						
	DN	Dash	inch	inch	B	A	D	E			
M43670-16-20	25	- 16	1"	1.1/4"	26.0	105.0	54.1	58.5			
M43670-20-16T34	31	- 20	1.1/4"	1"	26.0	125.3	47.7	58.2			
M43670-20-20	31	- 20	1.1/4"	1.1/4"	26.1	125.5	54.2	62.0			
M43670-24-16	38	- 24	1.1/2"	1"	19.0	125.5	47.7	51.0			
M43670-24-20	38	- 24	1.1/2"	1.1/4"	26.0	142.5	54.1	54.1			
M43670-24-20T40	38	- 24	1.1/2"	1.1/4"	31.0	145.0	54.2	71.0			

FITTINGS
194

SAE STANDARD CONNECTIONS

M43690

90° ISO / SAE
CODE 62 FLANGE
SAE J516 / ISO 12151-3



PART. REF.	HOSE BORE			Flange	DIMENSIONS mm						
	DN	Dash	inch	inch	B	A	D	E			
M43690-10-12	16	- 10	5/8"	3/4"	16.0	56.5	41.4	60.5			
M43690-12-12	19	- 12	3/4"	3/4"	16.0	72.5	41.4	59.0			
M43690-12-16	19	- 12	3/4"	1"	20.0	72.5	47.7	65.0			
M43690-16-12	25	- 16	1"	3/4"	16.0	81.5	41.4	62.0			
M43690-16-16	25	- 16	1"	1"	20.0	85.5	47.7	70.0			
M43690-16-20	25	- 16	1"	1.1/4"	26.0	85.0	54.2	75.0			
M43690-20-16	31	- 20	1.1/4"	1"	25.0	105.0	47.7	79.0			
M43690-20-20	31	- 20	1.1/4"	1.1/4"	26.1	102.0	54.2	82.0			
M43690-20-20090	31	- 20	1.1/4"	1.1/4"	26.0	102.0	54.2	90.0			
M43690-20-24	31	- 20	1.1/4"	1.1/2"	32.1	105.0	63.7	92.0			
M43690-24-20	38	- 24	1.1/2"	1.1/4"	26.0	110.0	54.2	90.0			
M43690-24-24	38	- 24	1.1/2"	1.1/2"	32.1	114.5	63.7	96.0			
M43690-24-24104	38	- 24	1.1/2"	1.1/2"	32.1	114.5	63.7	104.0			
M43690-24-32	38	- 24	1.1/2"	2"	42.0	114.5	79.6	109.0			
M43690-32-32	51	- 32	2"	2"	42.0	142.5	79.6	132.0			
M43690-32-32138	51	- 32	2"	2"	42.0	140.5	79.6	142.5			