

PVVM

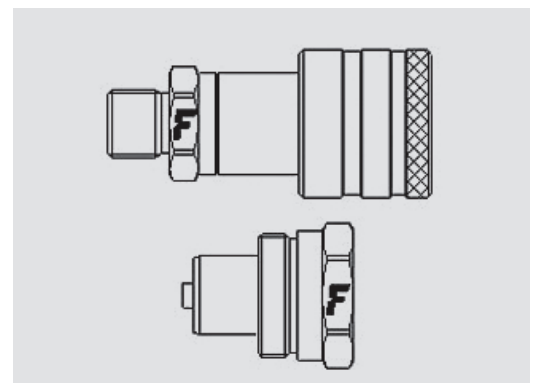


Screw to connect couplings for high pressure, ISO 14540 interchange, poppet valve.

Screw-on couplings purposely designed for the heaviest applications (e.g.: hydraulic jacks for bridge maintenance). Equipped with a robust metal-to-metal sealing poppet valve, this series guarantees the best performance on the market in terms of maximum working pressure. ISO 14540 interchange.



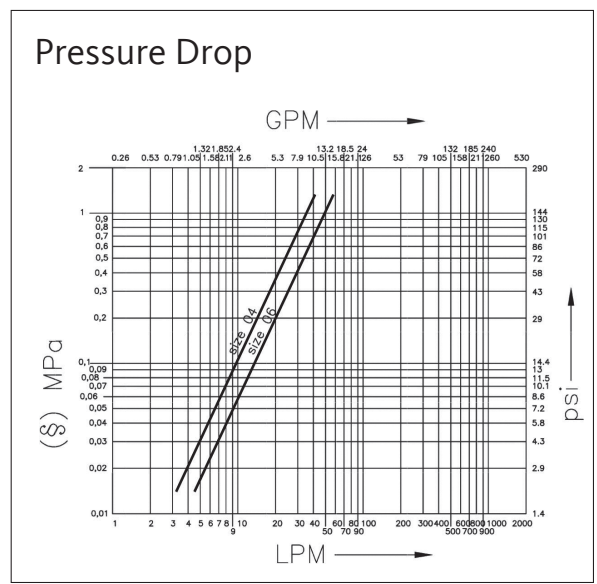
Applications



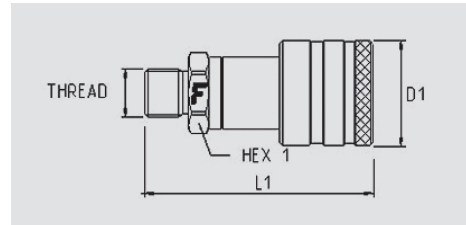
Technical Specifications

dash	Size		Working Pressure (MPa)	Flow Rate (l/min)	Spillage (ml)	Force to Connect (N)	Burst pressure (MPa)		
	mm	inch					Male	Female	Male + Female
04	6,3	1/4"	103	15	0,5	0	310	330	350
06	10	3/8"	100	20	1	0	330	300	350

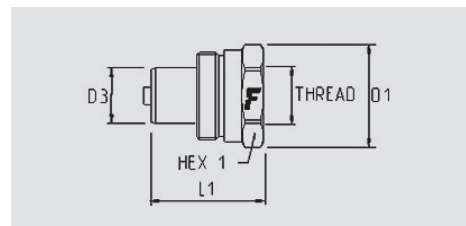
Material	Steel
Seals	NBR
Working temperatures	- 25 °C to + 125 °C
Surface treatment	MATE 500 (CrIII)
Series Interchange	ISO 14540
Valve Type	Poppet
Connection	Screw to Connect
Disconnection	Unscrew to Disconnect
Connection Under Pressure	Allowed Residual



PVVM



Size		Thread details			FEMALE						
inch	mm	Thread Type	Standard	Thread	Part Number	L (L1 + Thread)		D1		HEX1	
						mm	inch	mm	inch	mm	inch
1/4"	6,3	01/ NPTF	ANSI B1.20.3	NPTF 1/4 MALE	PVVM1/14NPT F	63	2,5	33	1,3	21	0,8
3/8"	10	01/ NPTF	ANSI B1.20.3	NPTF 3/8 MALE	PVVM1/38NPT F	83	3,3	36	1,4	25	1
3/8"	10	23/ BSPP	n.a.	BSPP 1/4 MALE SPECIAL	PVVM38-23/14G F	147,7	5,8	36	1,4	25	1
3/8"	10	01/ NPTF	ANSI B1.20.3	NPTF 1/4 MALE	PVVM38-1/14NPTF	148,7	5,9	36	1,4	25	1



Size		Thread details			MALE								
inch	mm	Thread Type	Standard	Thread	Part Number	L (L1 + Thread)		D1		D3		HEX1	
						mm	inch	mm	inch	mm	inch	mm	inch
1/4"	6,3	F NPTF	ANSI B1.20.3	NPTF 1/4 FEMALE	PVVM 14 NPT M	34	1,3	30	1,2			27	1,1
3/8"	10	F NPTF	ANSI B1.20.3	NPTF 3/8 FEMALE	PVVM 38 NPT M	39	1,5	35	1,4			32	1,3
3/8"	10	23/ BSPP	n.a.	BSPP 1/4 MALE SPECIAL	PVVM38-23/14G M	63,8	2,5	35,5	1,4			25	1

Aluminium dust caps



Plugs suitable for FEMALE



Caps suitable for MALE

Size			Plug Details		Size			Cap Details	
inch	mm	dash	Part number	Colour	inch	mm	dash	Part number	Colour
1/4"	6,3	04	TMP 14		1/4"	6,3	04	TFP 14	
3/8"	10	06	TMP 38		3/8"	10	06	TFP 38	

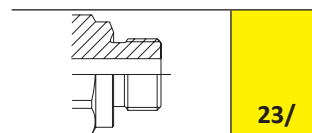
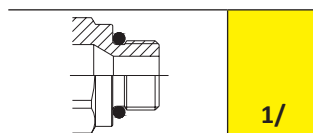
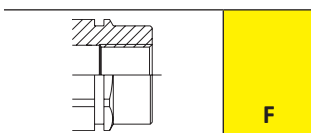
Seal Kits



For Female

Size			Seal Details	
inch	mm	dash	Material	Part Number
1/4"	6,3	04	NBR; PTFE	SK PVVM 14
3/8"	10	06	NBR; PTFE	SK PVVM 38

Every seals kit is composed of 5 or 10 pcs.



PVSM

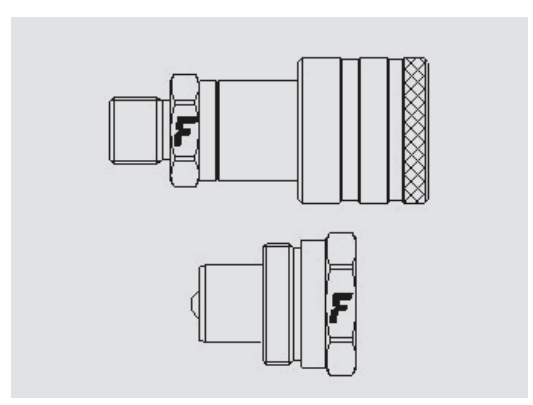


Screw to connect couplings for high pressure, ISO 14540 interchange, ball valve.

PVSM screw-to-connect couplings have been purposely designed for the heaviest applications in terms of working pressure. Equipped with a metal-to-metal sealing ball valve they are interchangeable according to ISO 14540 standards.



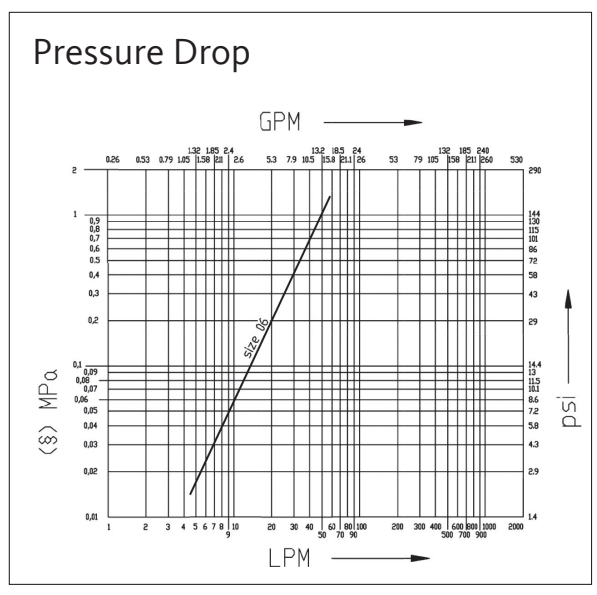
Applications



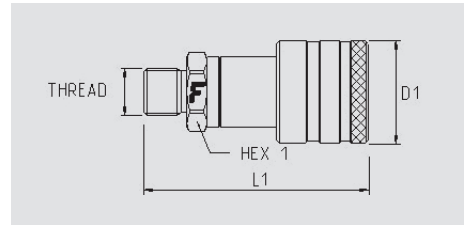
Technical Specifications

dash	Size		Working Pressure (MPa)	Flow Rate (l/min)	Spillage (ml)	Force to Connect (N)	Burst pressure (MPa)		
	mm	inch					Male	Female	Male + Female
06	10	3/8"	72	14	1	0	144	180	260

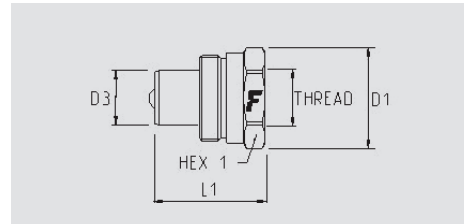
Material	Steel
Seals	NBR
Working temperatures	- 25 °C to + 125 °C
Surface treatment	MATE 500 (CrIII)
Series Interchange	ISO 14540
Valve Type	Ball
Connection	Screw to Connect
Disconnection	Unscrew to Disconnect
Connection Under Pressure	Allowed Residual



PVSM



Size		Thread details			FEMALE						
inch	mm	Thread Type	Standard	Thread	Part Number	L (L1 + Thread)		D1		HEX1	
						mm	inch	mm	inch	mm	inch
3/8"	10	01/ NPTF	ANSI B1.20.3	NPTF 3/8 MALE	PVSM1/38NPT F	77,5	3,1	36,0	1,4		



Size		Thread details			MALE								
inch	mm	Thread Type	Standard	Thread	Part Number	L (L1 + Thread)		D1		D3		HEX1	
						mm	inch	mm	inch	mm	inch	mm	inch
3/8"	10	F NPTF	ANSI B1.20.3	NPTF 3/8 FEMALE	PVSM 38 NPT M	39,0	1,5	35,5	1,4	19,0	0,7	32,0	1,3

Aluminium dust caps



Plugs suitable for FEMALE



Caps suitable for MALE

Size			Plug Details		Size			Cap Details	
inch	mm	dash	Part number	Colour	inch	mm	dash	Part number	Colour
3/8"	10	06	TMP 38		3/8"	10	06	TFP 38	

Seal Kits



Size			Seal Details	
inch	mm	dash	Material	Part Number
3/8"	10	06	NBR; PTFE	SK PVVM 38

Every seals kit is composed of 5 or 10 pcs.

